

DS-2CD1621G0-I(Z) 2 MP IR VF Network Bullet Camera



Key Features

- 1/2.8" progressive scan CMOS
- Up to 2 megapixel
- 2.8 mm to 12 mm varifocal lens
- Up to 30 m IR range
- Dual streams
- 3D DNR
- IP67
- Mobile monitoring via Hik-Connect



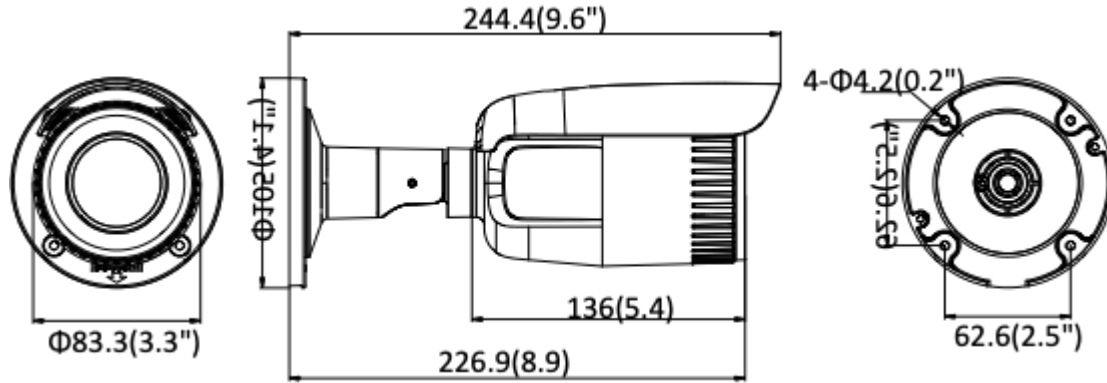
Camera	
Image Sensor	1/2.8" progressive scan CMOS
Min. Illumination	Color: 0.01 Lux @(F1.2, AGC ON), 0.017 Lux @(F1.6, AGC ON), 0 Lux with IR
Shutter Speed	1/3 s to 1/100,000 s, support slow shutter
Lens	2.8 mm to 12 mm @F1.6 , horizontal field of view: 111.5° to 33° vertical field of view: 58° to 18.5° diagonal field of view: 134° to 38°
Lens Mount	Φ14
Day & Night	IR cut filter with auto switch
DNR (Digital Noise Reduction)	3D DNR
WDR (Wide Dynamic Range)	Digital WDR
3-Axis Adjustment	Pan: 0° to 360°, tilt: 0° to 90°, rotation: 0° to 360°
Compression Standard	
Video Compression	Main stream: H.264 Sub stream: H.264/MJPEG
H.264 Type	Baseline profile/Main profile
H.264+	Main stream supports
Video Bit Rate	32 Kbps to 8 Mbps
Image	
Max. Resolution	1920 × 1080
Main Stream Max. Frame Rate	50Hz: 25fps @(1920 × 1080, 1280 × 960, 1280 × 720) 60Hz: 30fps @(1920 × 1080, 1280 × 960, 1280 × 720)
Sub-stream Max. Frame Rate	50Hz: 25fps @(640 × 480, 640 × 360, 320 × 240) 60Hz: 30fps @(640 × 480, 640 × 360, 320 × 240)
Image Settings	Rotate mode, brightness, saturation, contrast, sharpness are adjustable via web browser or client software
Day/Night Switch	Day, Night, Auto, Scheduled
Image Enhancement	BLC/3D DNR
Network	
Network Storage	Support micro SD/SDHC/SDXC card (128G), local storage, ANR
Alarm Trigger	Motion detection, video tampering, network disconnected, IP address conflict, HDD full, HDD error, PIR, illegal login
Protocols	TCP/IP, ICMP, HTTP, HTTPS, FTP, DHCP, DNS, DDNS, RTP, RTSP, RTCP, NTP, UPnP, SMTP, IGMP, 802.1X, QoS, IPv6, Bonjour
General Function	One-key reset, anti-flicker, heartbeat, mirror, password protection, privacy mask, watermark
Firmware Version	V5.5.5
API	ONVIF (PROFILE S, PROFILE G), ISAPI
Simultaneous Live View	Up to 6 channels

User/Host	Up to 32 users 3 levels: Administrator, Operator and User
Client	iVMS-4200, Hik-Connect, iVMS-5200, iVMS-4500
Web Browser	IE8+, Chrome 31.0-44, Firefox 30.0-51, Safari 8.0+
Interface	
Communication Interface	1 RJ45 10M/100M self-adaptive Ethernet port
Video Output (Without -Z)	1Vp-p composite output (75Ω/BNC)
On-board Storage	Built-in Micro SD/SDHC/SDXC slot, up to 128 GB
Reset	Yes
General	
Operating Conditions	-30 °C to 60°C (-22 °F to 140°F), humidity: 95% or less (non-condensing)
Power Supply	12 VDC ± 25% PoE: 802.3af, class 3
Power Consumption	With Z: 12 VDC, 0.9 A, max: 11W PoE: (802.3af, 36V-57V), 0.4 A to 0.2 A, Max: 12.9W Without Z: 12 VDC, 0.6 A, Max: 7W PoE: (802.3af, 36V-57V), 0.3 A to 0.1 A, Max: 9W
Ingress Protection	IP 67
IR Range	Up to 30 m
Material	Metal
Dimensions	Φ105 mm × 244.4 mm (4.1" × 9.6")
Weight	705 g (1.6 lb.)

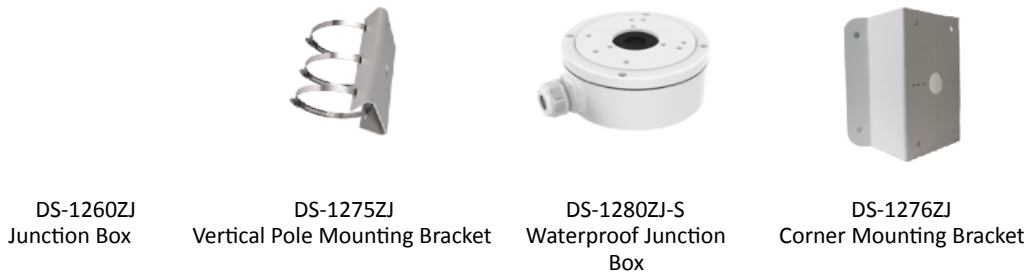
Available Models

DS-2CD1621G0-I(2.8 to 12 mm), DS-2CD1621G0-IZ(2.8 to 12 mm)

Dimension



Accessory



Distributed by



HIKVISION

Headquarters

No.555 Qianmo Road, Binjiang District,
Hangzhou 310051, China
T +86-571-8807-5998
overseasbusiness@hikvision.com

Hikvision USA
T +1-909-895-0400
sales.usa@hikvision.com

Hikvision Italy
T +39-0438-6902
info.it@hikvision.com

Hikvision Singapore
T +65-6684-4718
sg@hikvision.com

Hikvision Africa
T +27 (10) 0351172
sale.africa@hikvision.com

Hikvision Europe
T +31-23-55-42-770
info.eu@hikvision.com

Hikvision France
T +33(0)1-85-330-450
info.fr@hikvision.com

Hikvision Oceania
T +61-2-8599-4233
salesau@hikvision.com

Hikvision Hong Kong
T +852-2151-1761

Hikvision Middle East
T +971-4-8816086
salesme@hikvision.com

Hikvision Spain
T +34-91-737-16-55
info.es@hikvision.com

Hikvision Canada
T +1-909-895-0400
sales.usa@hikvision.com

Hikvision Russia
T +7-495-669-67-99
saleru@hikvision.com

Hikvision Poland
T +48-22-460-01-50
poland@hikvision.com

Hikvision Korea
T +82-31-731-8841
sales.korea@hikvision.com

Hikvision India
T +91-22-28469900
sales@pramahikvision.com

Hikvision UK
T +01628-902140
support.uk@hikvision.com

Hikvision Brazil
T +55 11 3318-0050
Latam.support@hikvision.com